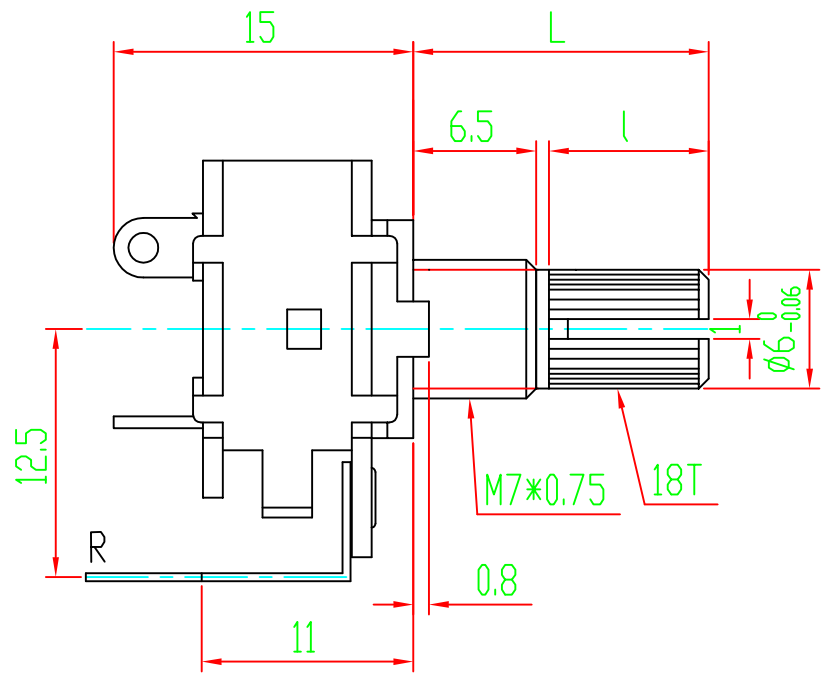
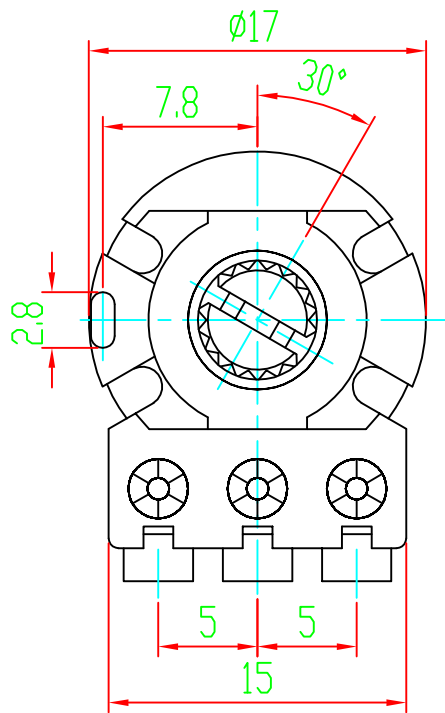
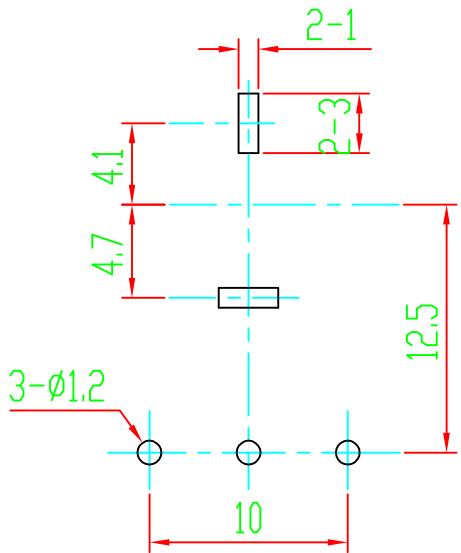


Shaft Shown in Full  
C.C.W. Position



P.C.B MOUNTING DETAIL



|   |    |    |    |    |
|---|----|----|----|----|
| L | 15 | 20 | 25 | 30 |
| l | 7  | 12 | 12 | 12 |

|      |      |          |  |    |  |  |             |
|------|------|----------|--|----|--|--|-------------|
| 02   |      |          |  | 05 |  |  |             |
| 01   |      |          |  | 04 |  |  |             |
|      | DATE | REVISION | APPROVED   | 03 |  |  |             |
|      |      |          | MODEL: WH160AK-4 L15 18T   |    |  |  | DRAWING NO: |
|      |      |          |  <b>常州宇豪电子有限公司</b><br>CHANGZHOU YUHAO ELECTRONIC CO.,LTD. |    |  |  |             |
| DRAW | CHKD | APPD     |  |    |  |  |             |