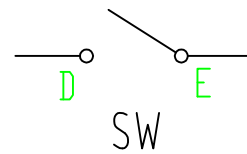
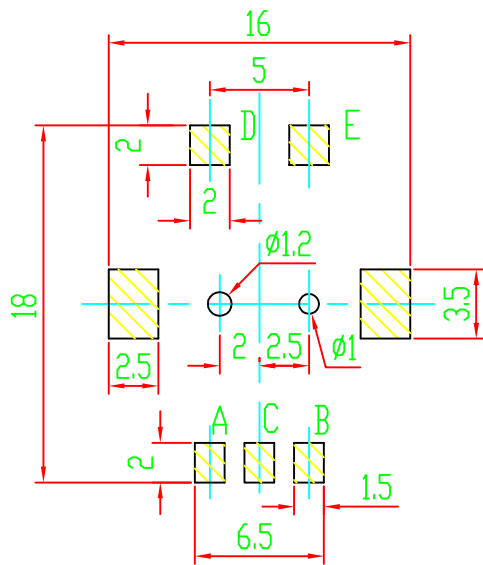
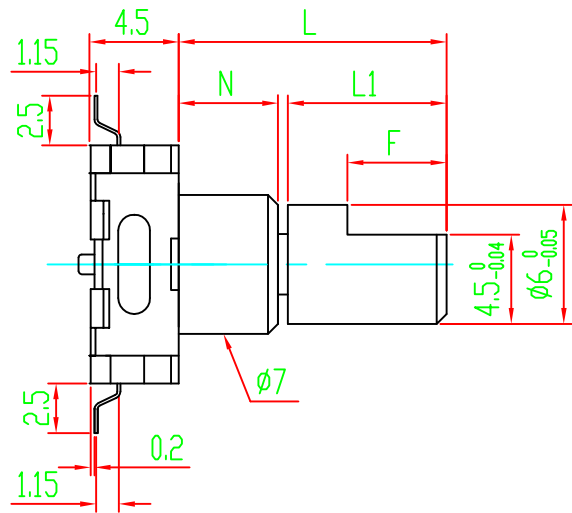
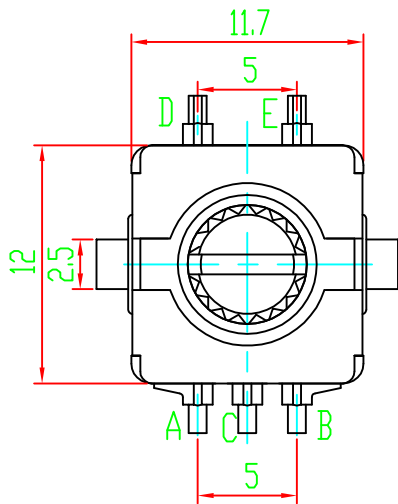


Shaft Shown in Full
C.C.W. Position



P.C.B MOUNTING DETAIL

L	13.5		
L1	8		
F	5		
N	5		

02				05		
01				04		
	DATE	REVISION	APPROVED	03		

MODEL: EC11-1S-D5*4.5-L13.5F5 金属轴 塑胶柄 SMT

DRAWING NO:



常州宇豪电子有限公司

CHANGZHOU YUHAO ELECTRONIC CO.,LTD.

DRAW	CHKD	APPD
------	------	------