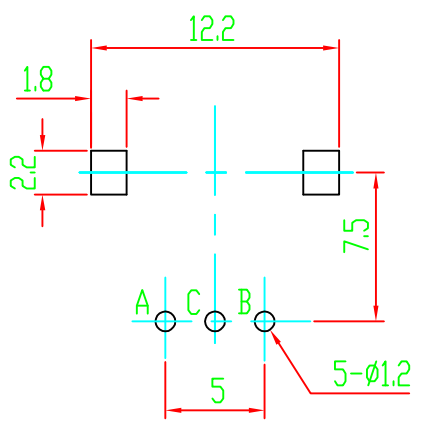
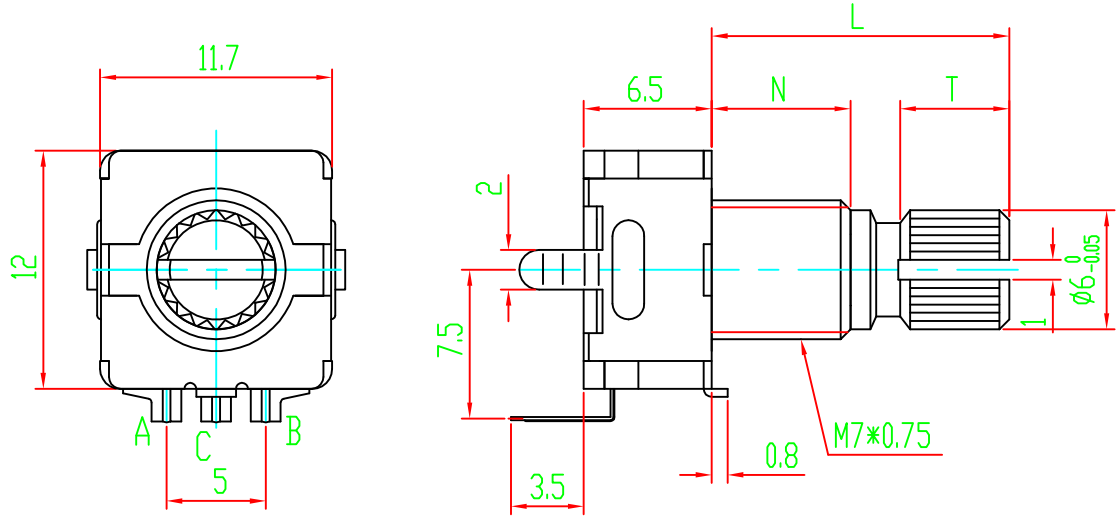


Shaft Shown in Full
C.C.W. Position



P.C.B MOUNTING DETAIL

L	15	20		36
T	5.5	9		11
N	7	7		7

02				05			
01				04			
	DATE	REVISION	APPROVED	03			

MODEL: EC11-1-D7*6.5-L20KQ 螺纹轴套

DRAWING NO:



常州宇豪电子有限公司

CHANGZHOU YUHAO ELECTRONIC CO.,LTD.

DRAW	CHKD	APPD
------	------	------