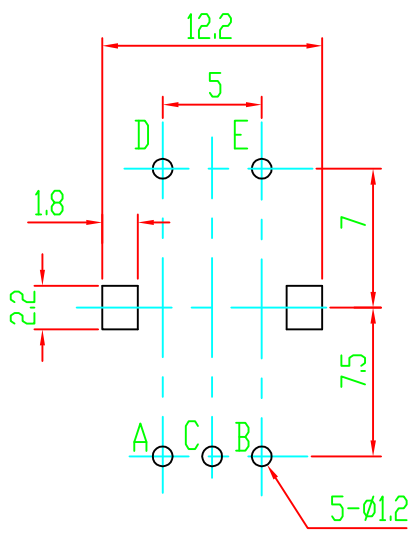
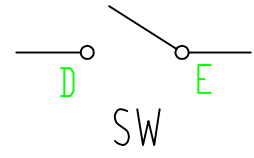
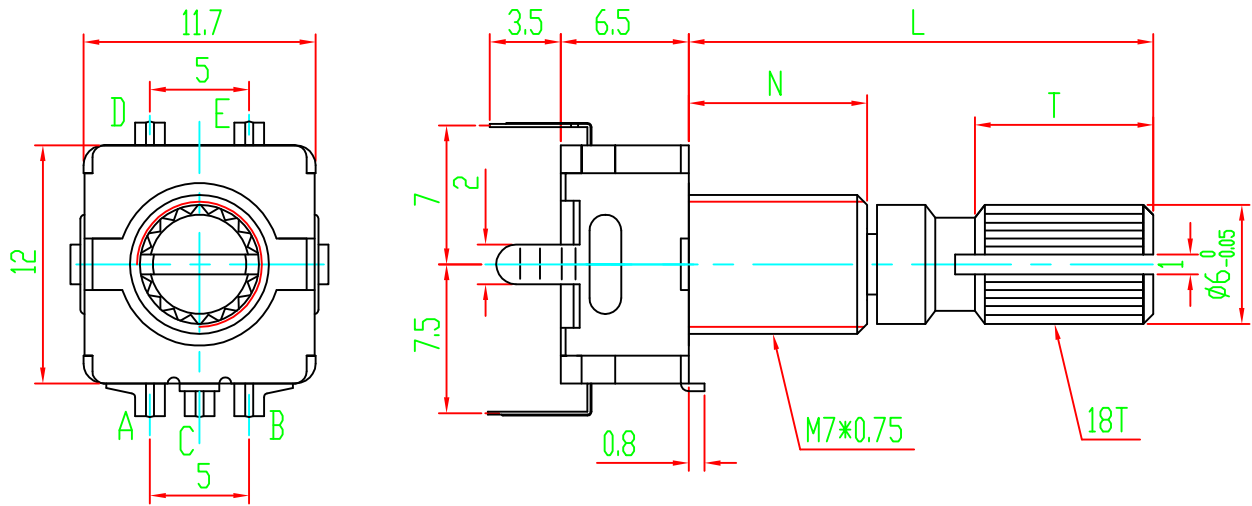



Shaft Shown in Full  
C.C.W. Position



P.C.B MOUNTING DETAIL

L	20	25	✓	
L1	10.5	15.5	✓	
T	9	11	✓	
N	9	9	✓	

02				05			
01				04			
	DATE	REVISION	APPROVED	03			
			MODEL: EC11-1S-D9*6.5-L25KQ 螺纹轴套				
			DRAWING NO:				
			 <b>常州宇豪电子有限公司</b> CHANGZHOU YUHAO ELECTRONIC CO.,LTD.				
DRAW	CHKD	APPD					