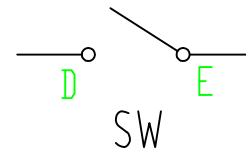
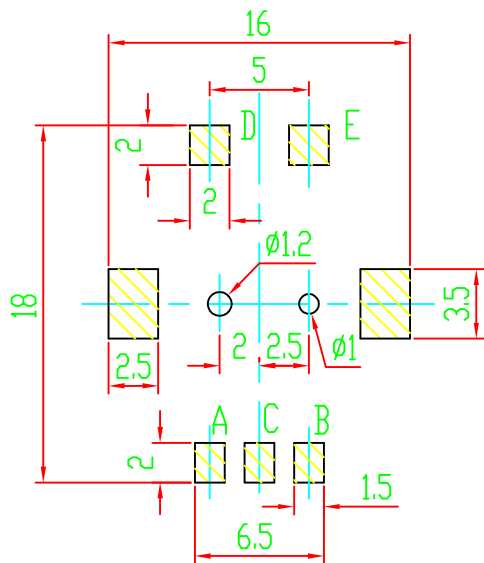
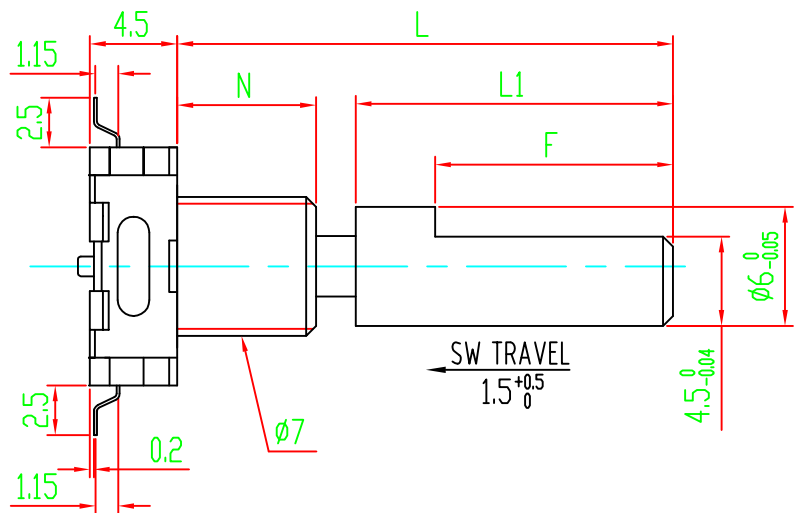
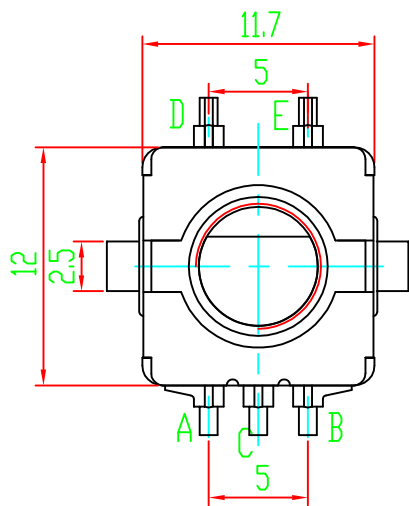


Shaft Shown in Full
C.C.W. Position



P.C.B MOUNTING DETAIL

L	25		
L1	16		
F	12		
N	7		

02				05			
01				04			
	DATE	REVISION	APPROVED	03			

MODEL: EC11-1S-D7*4.5-L25F12 SMT SWT 1.5 光轴套

DRAWING NO:



常州宇豪电子有限公司

CHANGZHOU YUHAO ELECTRONIC CO.,LTD.

DRAW	CHKD	APPD
------	------	------