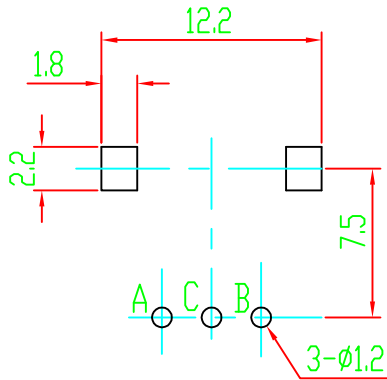
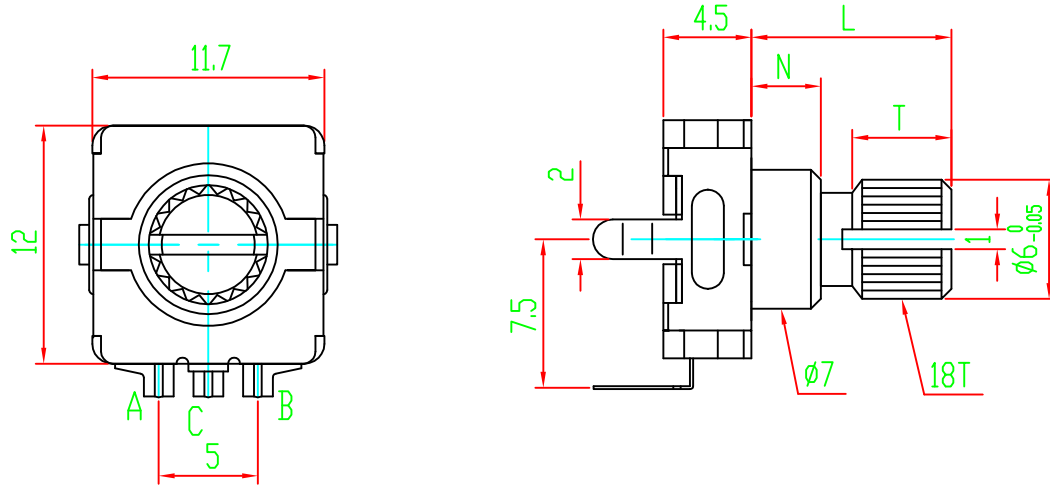


Shaft Shown in Full  
C.C.W. Position



P.C.B MOUNTING DETAIL

L	6	10		
T	2	5		
N	3.5	3.5		

02				05			
01				04			
	DATE	REVISION	APPROVED	03			

MODEL: EC11-1-D3.5\*4.5-L10KB 光轴套

DRAWING NO:



常州宇豪电子有限公司

CHANGZHOU YUHAO ELECTRONIC CO.,LTD.

DRAW	CHKD	APPD
------	------	------