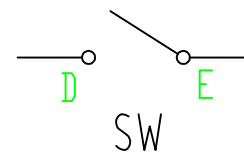
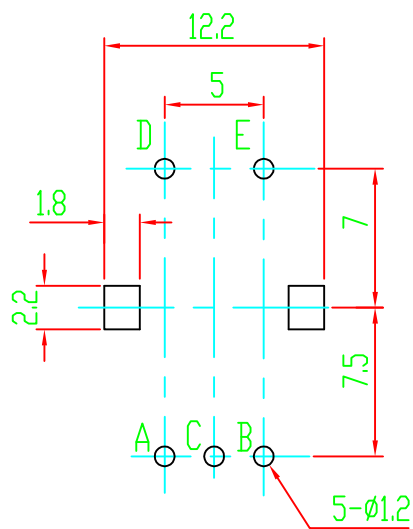
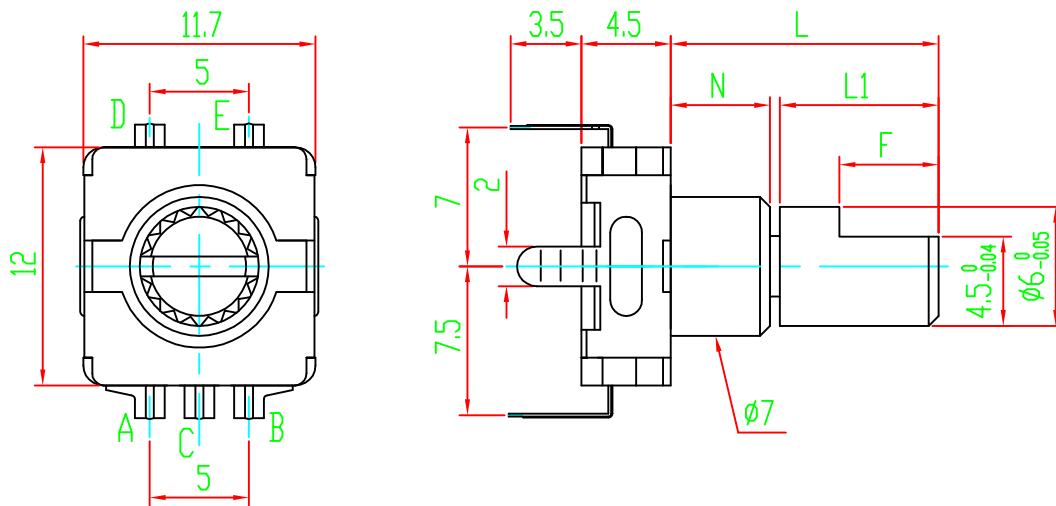


Shaft Shown in Full  
C.C.W. Position



P.C.B MOUNTING DETAIL

L	13.5		
L1	8		
F	5		
N	5		

02				05			
01				04			
	DATE	REVISION	APPROVED	03			

MODEL: EC11-1S-D5\*4.5-L13.5F5 塑胶套 塑胶轴

DRAWING NO:



常州宇豪电子有限公司

CHANGZHOU YUHAO ELECTRONIC CO.,LTD.

DRAW	CHKD	APPD
------	------	------