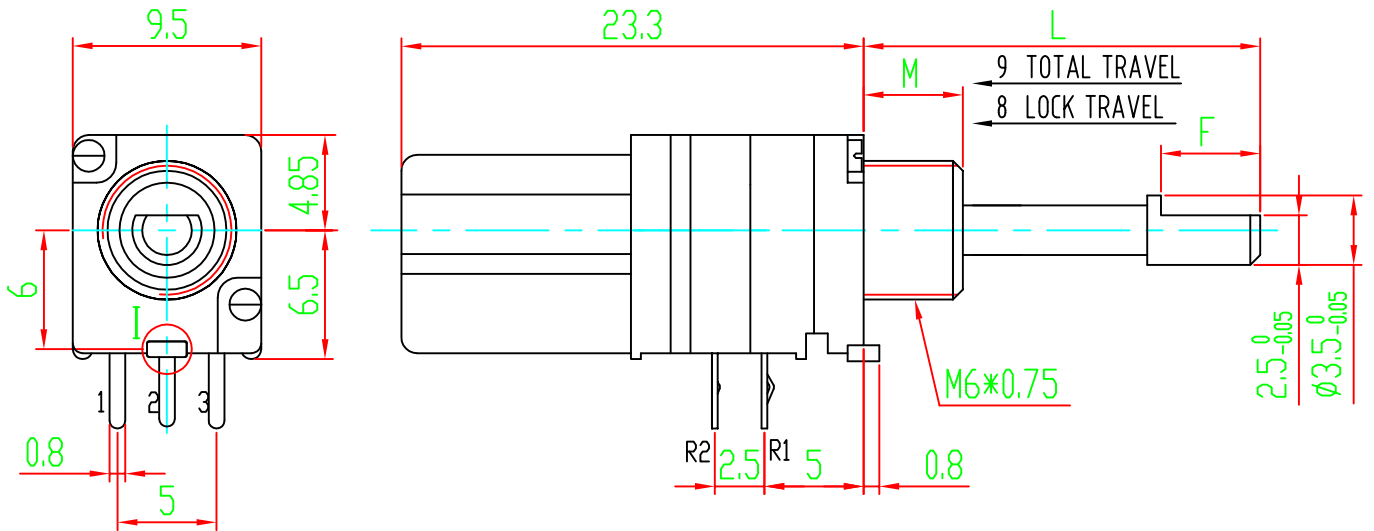
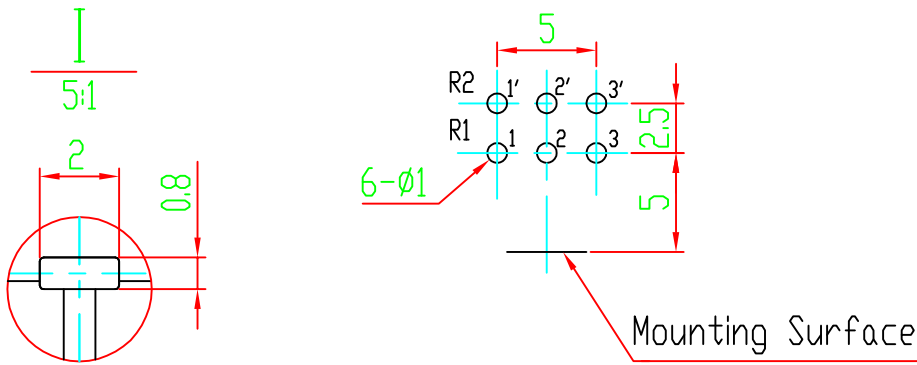


Shaft Shown in Full
C.C.W. Position



P.C.B MOUNTING DETAIL



M	5
	7

L	20		
F	5		

02				05			
01				04			
	DATE	REVISION	APPROVED	03			

MODEL: WH9011AP-2 L20F5

DRAWING NO:



常州宇豪电子有限公司

CHANGZHOU YUHAO ELECTRONIC CO.,LTD.

DRAW	CHKD	APPD
------	------	------