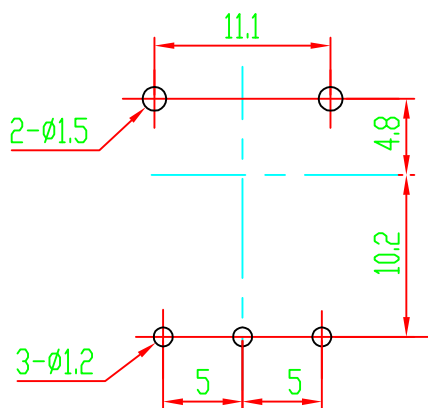
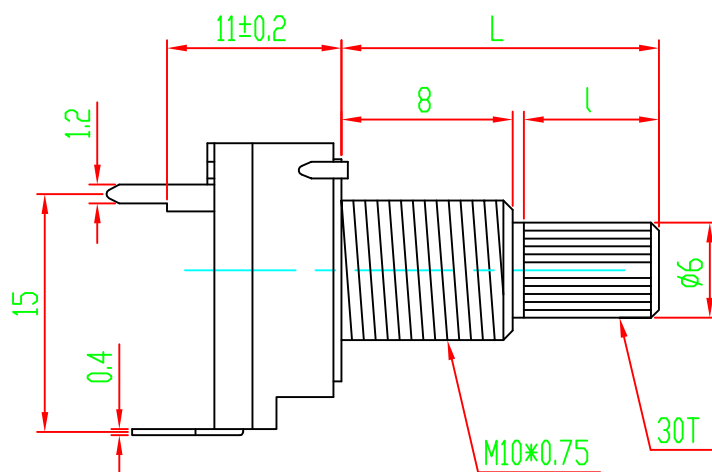
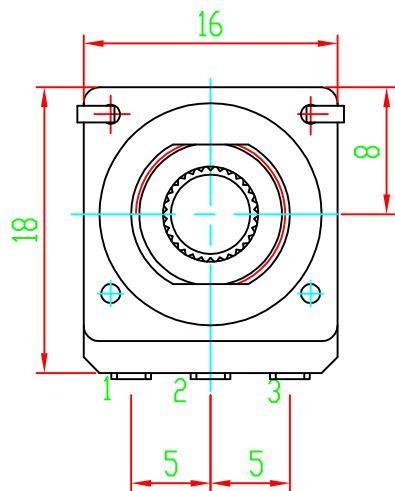


Shaft Shown in Full
C.C.W. Position



P.C.B MOUNTING DETAIL

| | | | | | |
|---|-----|-----|-----|----|------|
| L | 19 | 20 | 24 | 30 | 45 |
| l | 8.5 | 8.5 | 8.5 | 16 | 31.5 |

| | | | | | | | |
|----|------|----------|----------|----|--|--|--|
| 02 | | | | 05 | | | |
| 01 | | | | 04 | | | |
| | DATE | REVISION | APPROVED | 03 | | | |

MODEL: WH0162-1J L20 30T

DRAWING NO:



常州宇豪电子有限公司

CHANGZHOU YUHAO ELECTRONIC CO.,LTD.

DRAW

CHKD

APPD