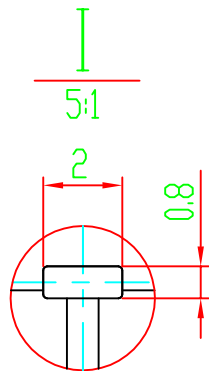
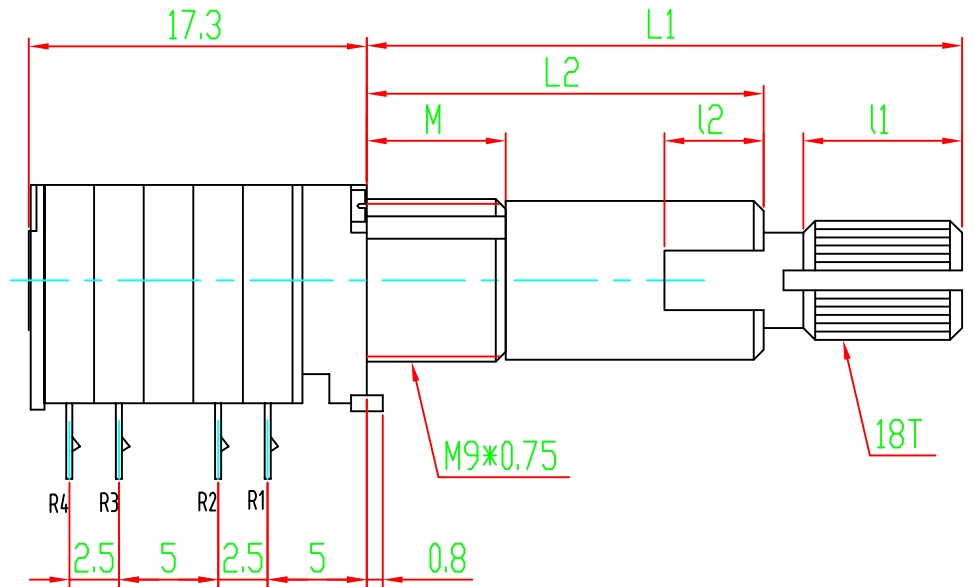
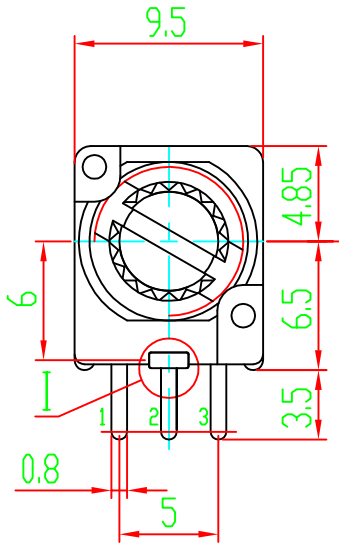
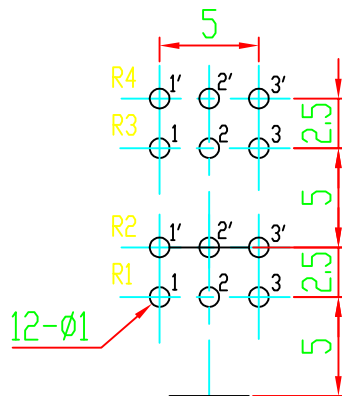


Shaft Shown in Full  
C.C.W. Position



P.C.B MOUNTING DETAIL



Mounting Surface

M	5
	7

L1	30		
L2	20		
l1	8		
l2	5		

02				05			
01				04			
	DATE	REVISION	APPROVED	03			

MODEL: WH9011AD-4 L30 18T 铜轴 双轴

DRAWING NO:



常州宇豪电子有限公司

CHANGZHOU YUHAO ELECTRONIC CO.,LTD.

DRAW	CHKD	APPD
------	------	------