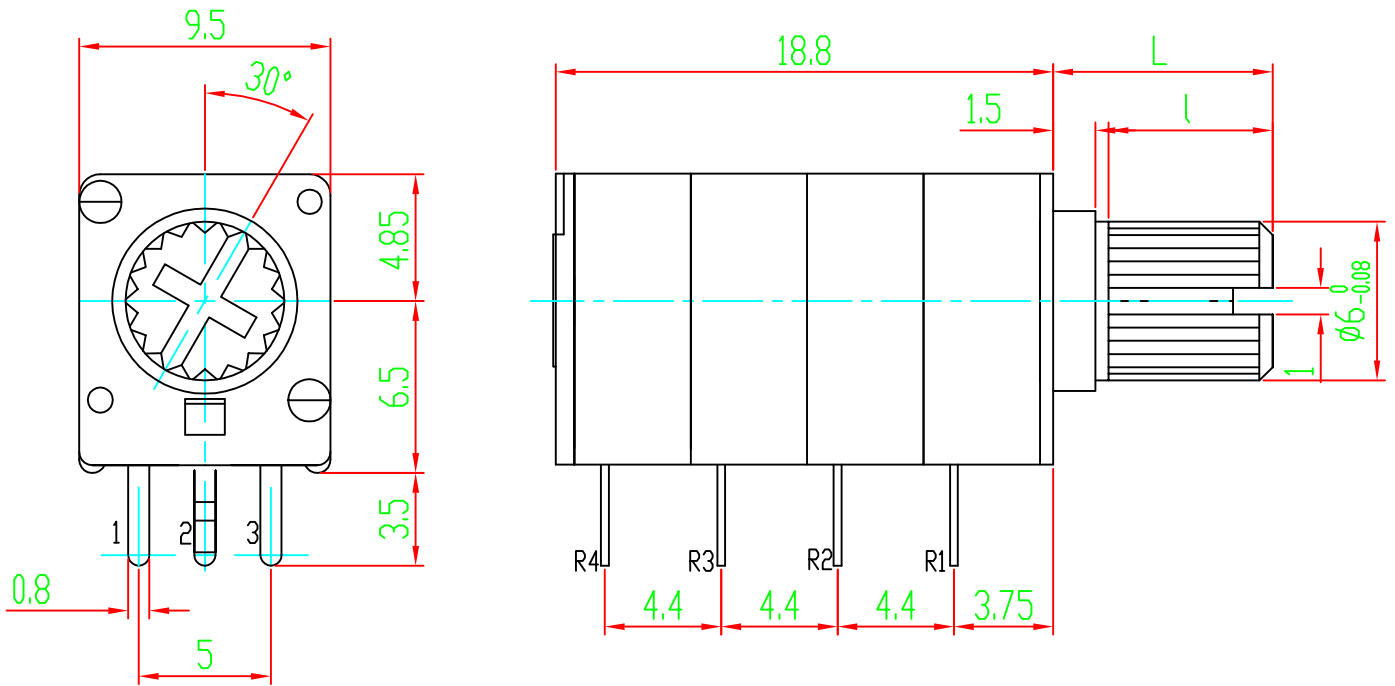
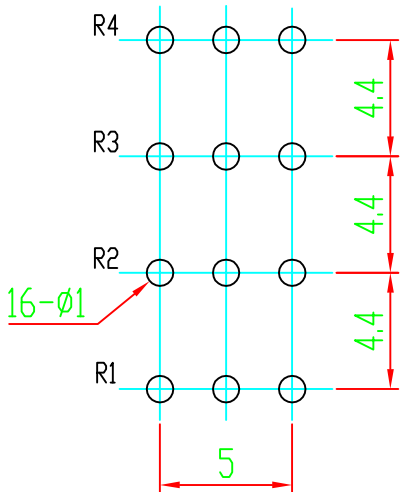


Shaft Shown in Full
C.C.W. Position



P.C.B MOUNTING DETAIL



| | | | | |
|---|---|----|--|--|
| L | 5 | 8 | | |
| l | 7 | 12 | | |

| | | | | | | | |
|------|------|----------|--|----|--|--|-------------|
| 02 | | | | 05 | | | |
| 01 | | | | 04 | | | |
| | DATE | REVISION | APPROVED | 03 | | | |
| | | | MODEL: WH9011D-4 L8 18T | | | | DRAWING NO: |
| | | |  常州宇豪电子有限公司 CHANGZHOU YUHAO ELECTRONIC CO.,LTD. | | | | |
| DRAW | CHKD | APPD | | | | | |