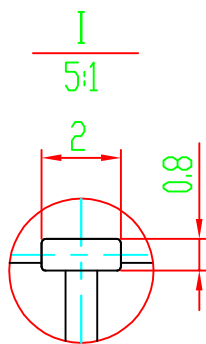
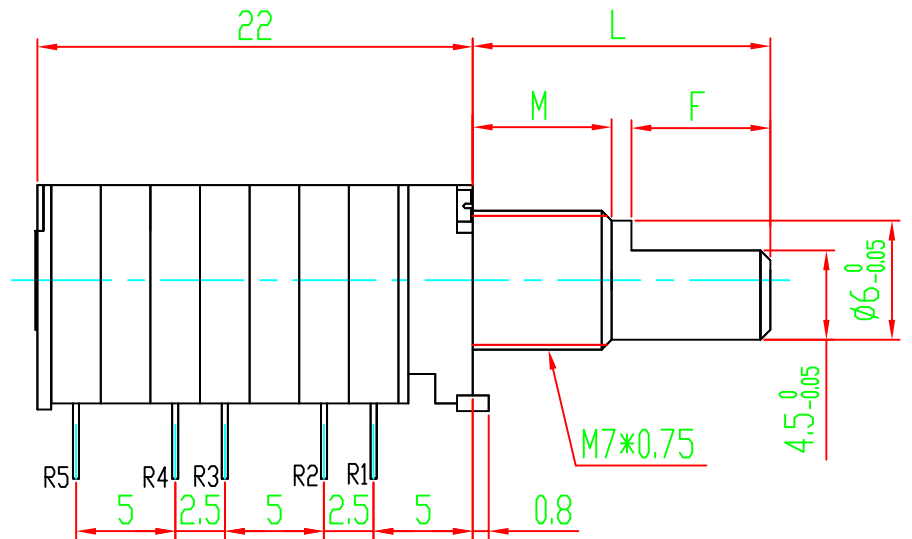
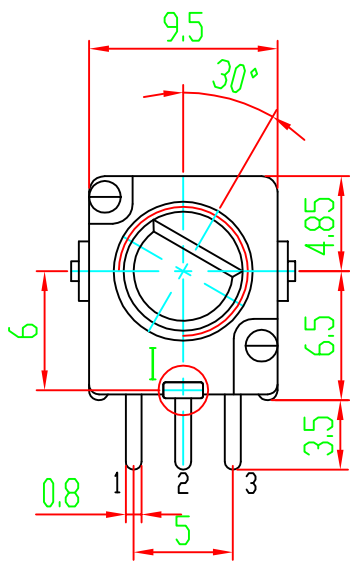
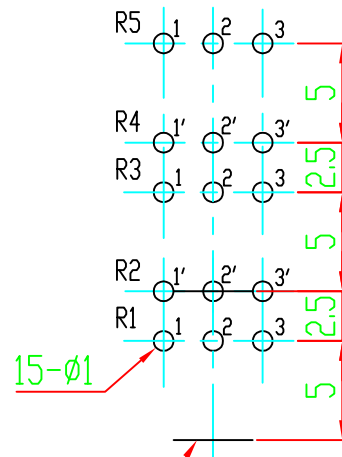


Shaft Shown in Full
C.C.W. Position



P.C.B MOUNTING DETAIL



Mounting Surface

M	5	L	15	20	25	
	7		F	7	12	12

02				05		
01				04		
	DATE	REVISION	APPROVED	03		

MODEL: WH9011A-5 L15F7

DRAWING NO:



常州宇豪电子有限公司

CHANGZHOU YUHAO ELECTRONIC CO.,LTD.

DRAW	CHKD	APPD
------	------	------