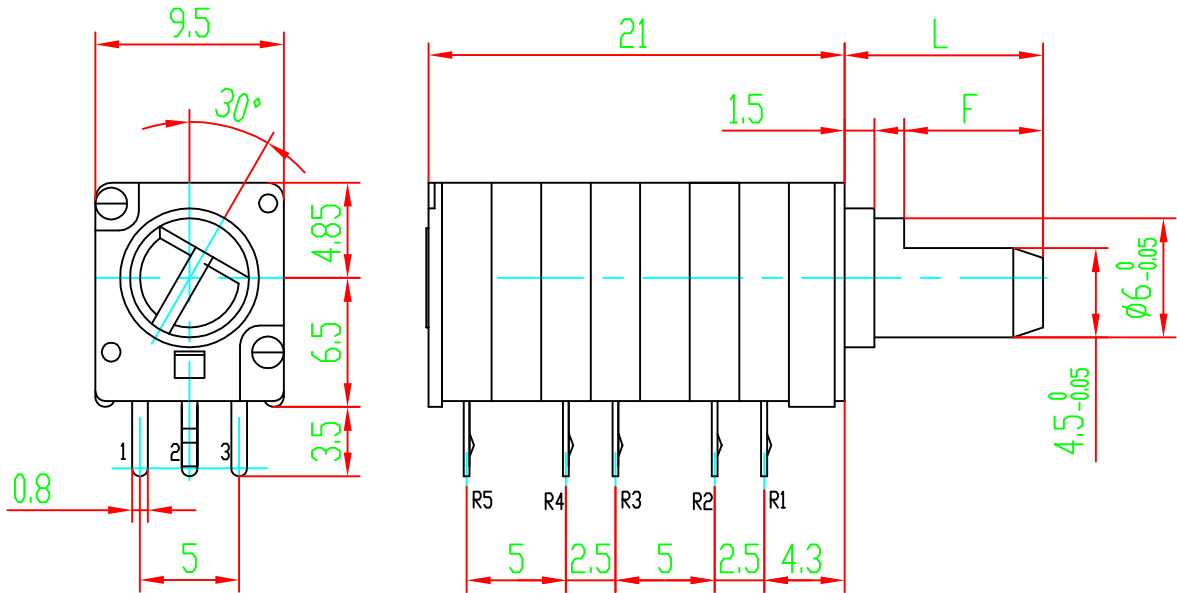
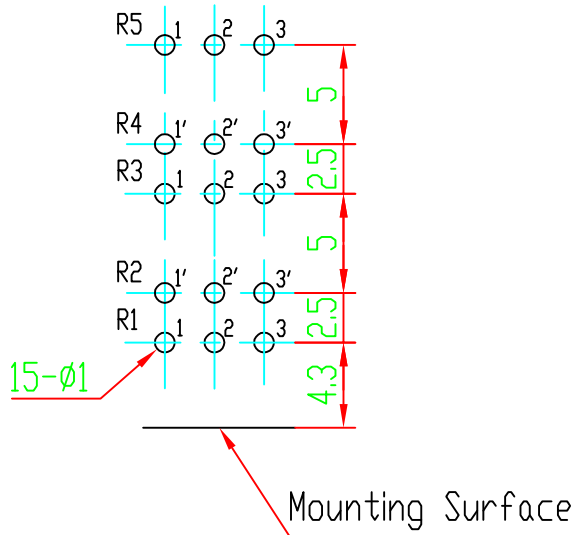



Shaft Shown in Full
C.C.W. Position



P.C.B MOUNTING DETAIL



L	10			
F	7			

02				05			
01				04			
	DATE	REVISION	APPROVED	03			
			MODEL: WH9011C-5 L10F7 "一"字槽				DRAWING NO:
			 常州宇豪电子有限公司 CHANGZHOU YUHAO ELECTRONIC CO.,LTD.				
DRAW	CHKD	APPD					